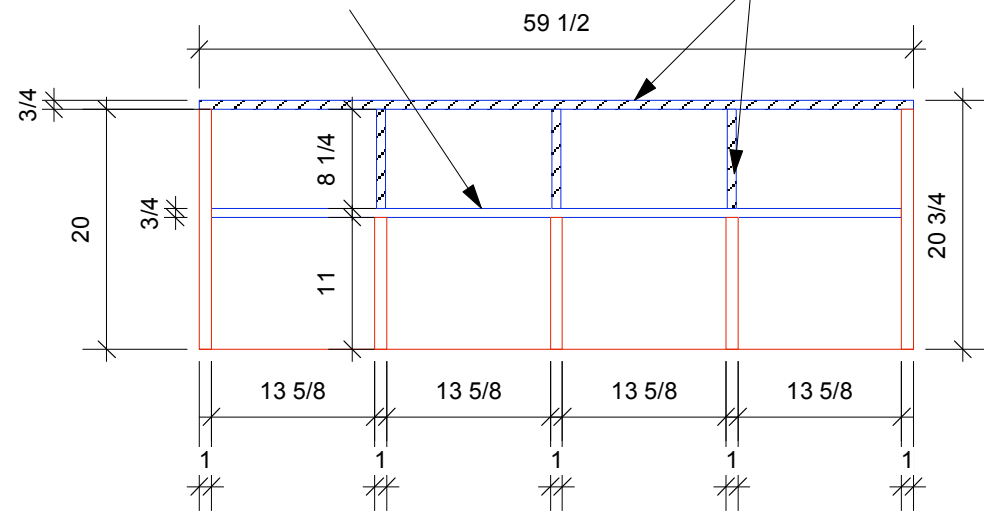
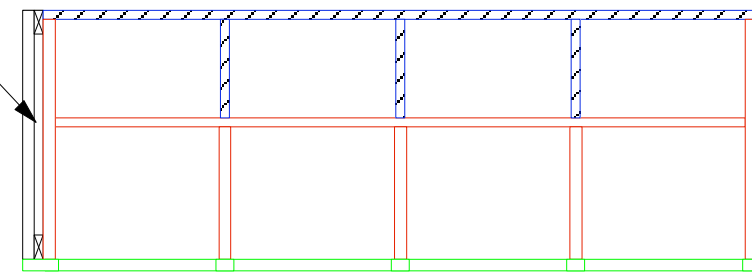


3/4" Clear Alder / MDF back to cubbies
3/4" ply or other sub-structure material



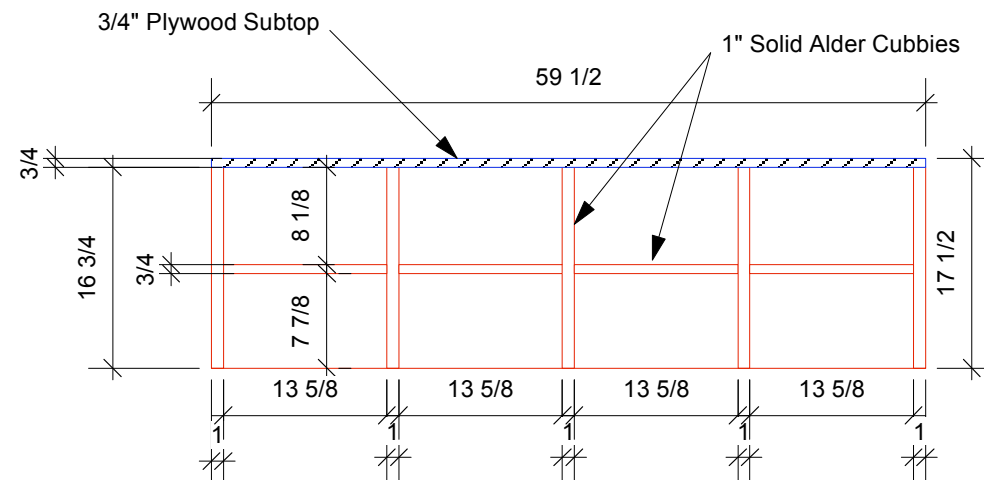
Top View

Attached End Panel
Use 3/4" spacers

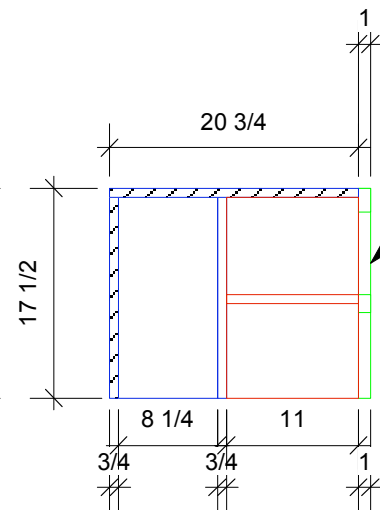


Faceframe butts into wall

Top View with faceframe attached - faceframe should lap over openings 1/4"

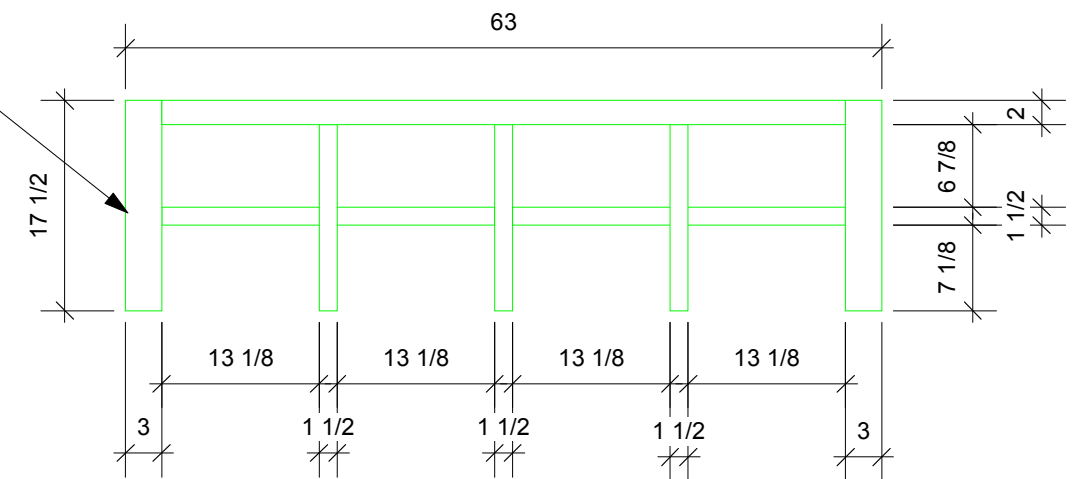


Front View

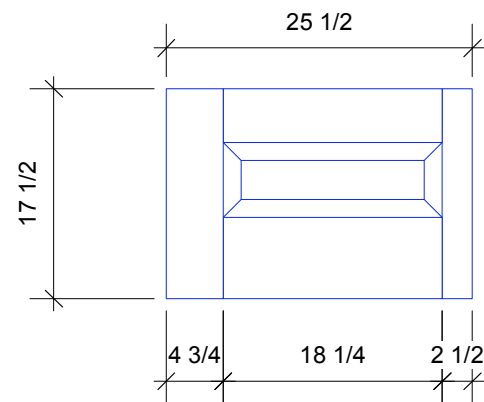


Side View

1" Solid Clear Alder Faceframe



Front View



End Panel
1 - Left
1" Thick
Clear Alder

River Run Lodge Boot Bench - Right Cubbies

SCALE 3/4" = 1 FT.

All dimensions & size designations are subject to verification on job site and adjustment to fit job condition.
All drawings are for design only and are not to be used for structural purposes.
This is an original design and must not be released or copied unless an applicable fee has been paid or a job order placed.

RICH STEEN DESIGN
www.richsteendesign.com
208 420-9540

OWNER: ICI / Lockers

PHONE: _____

ADDRESS: _____

CONTRACTOR: _____

PHONE: _____

ADDRESS: _____

JOB # _____

PLAN DATE: _____

DESIGN: _____

DRAWN: _____

PAGE # _____

OF _____