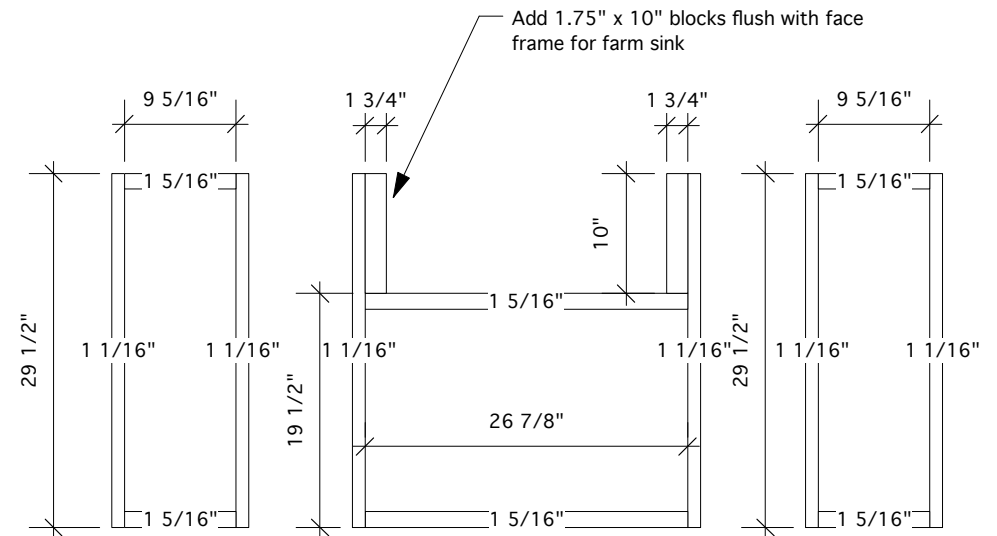


Room 11 - Mud Room / Laundry Elev A - Faceframes



Room 11 - Mud Room / Laundry Elev B - Faceframes

SCALE $\frac{3}{4}$ " = 1 FT.

All dimensions & size designations are subject to verification on job site and adjustment to fit job condition.
All drawings are for design only and are not to be used for structural purposes.
This is an original design and must not be released or copied unless an applicable fee has been paid or a job order placed.

RICH STEEN DESIGN
www.richsteendesign.com
208 420-9540

OWNER: _____ PHONE: _____
ADDRESS: _____
CONTRACTOR: _____ PHONE: _____
ADDRESS: _____

JOB # _____
PLAN DATE: _____
DESIGN: _____
DRAWN: _____

PAGE # _____
OF _____